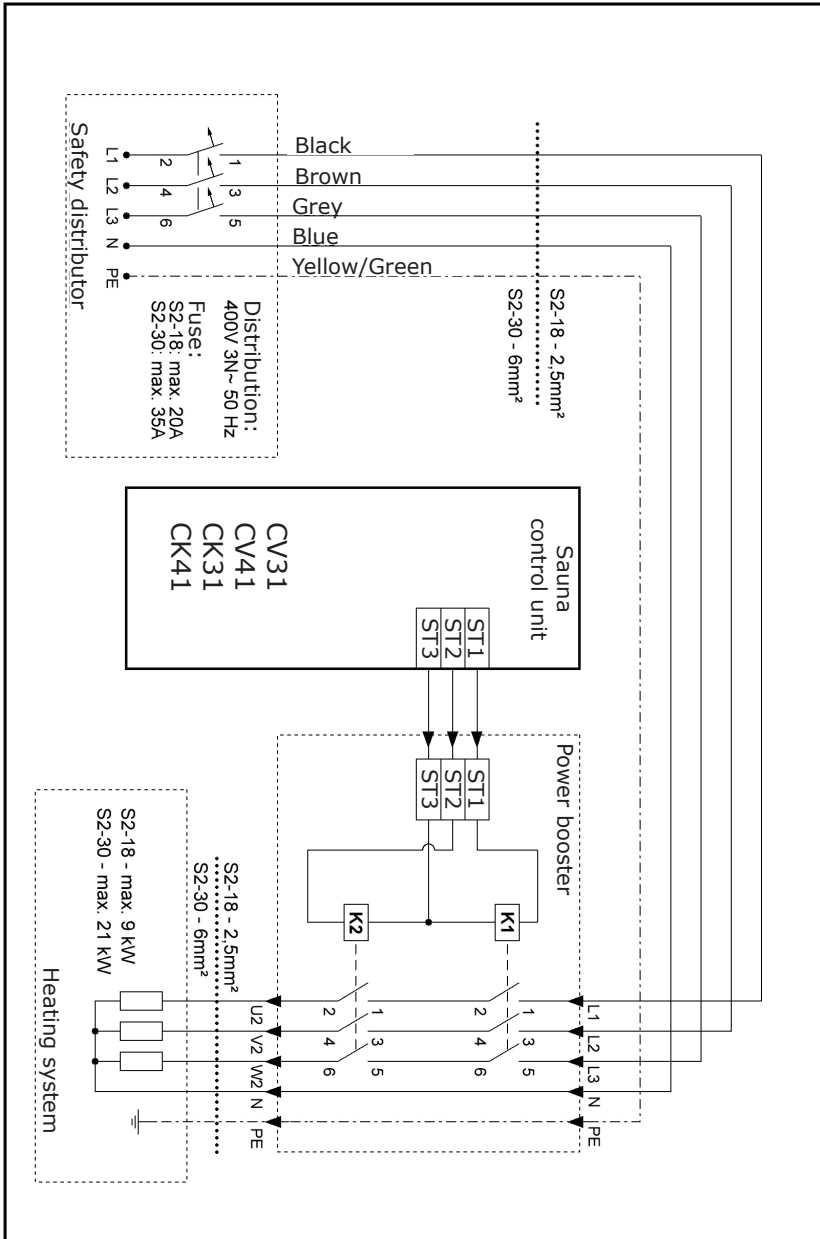


# 7. Connection diagram CV31, CK31, CV41 and CK41



EN